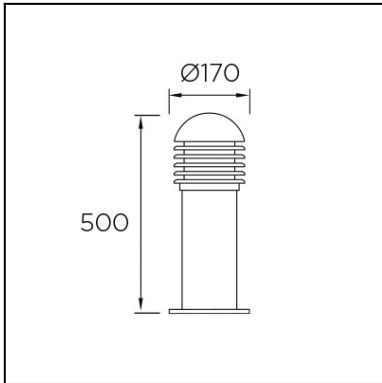
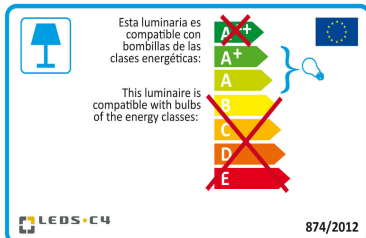




The photograph may not match the reference exactly. Please read the product description to identify the finish.



[Download photometric file .ldt /.ies](#)



[Click on image to download energy label](#)

Description

Bollard made from injected aluminium with a frosted polycarbonate diffuser protected by an aluminium grille (included). Available in two heights (50cm and 90cm) and in two finishes (light grey or dark grey). G12 70W metal halide light. Electronic components included.

TECHNICAL CHARACTERISTICS

Type:	Beacon
IP Protection degrees:	IP44
Light source 1:	1 x G12
Bulb specified at the product label	HIT-T-70W
IK Protection degrees:	IK10
Voltage / Frequency:	230V/50Hz
Warranty:	2
Units per box:	4
Net Weight (Kg):	3.660
EAN Code:	8435111076040



MATERIALS / FINISHES

Structure material: High purity aluminium

Structure finish: Urban grey

Diffuser material: Polycarbonate

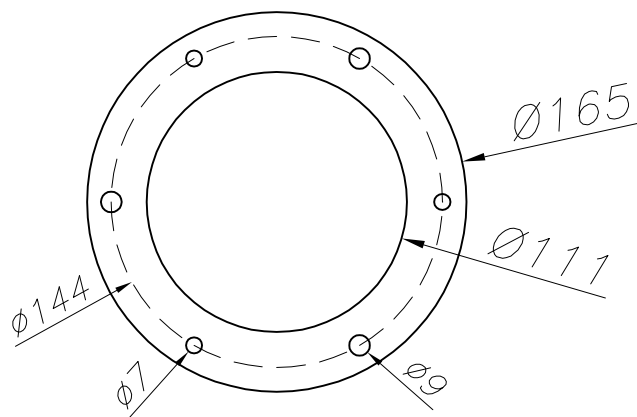
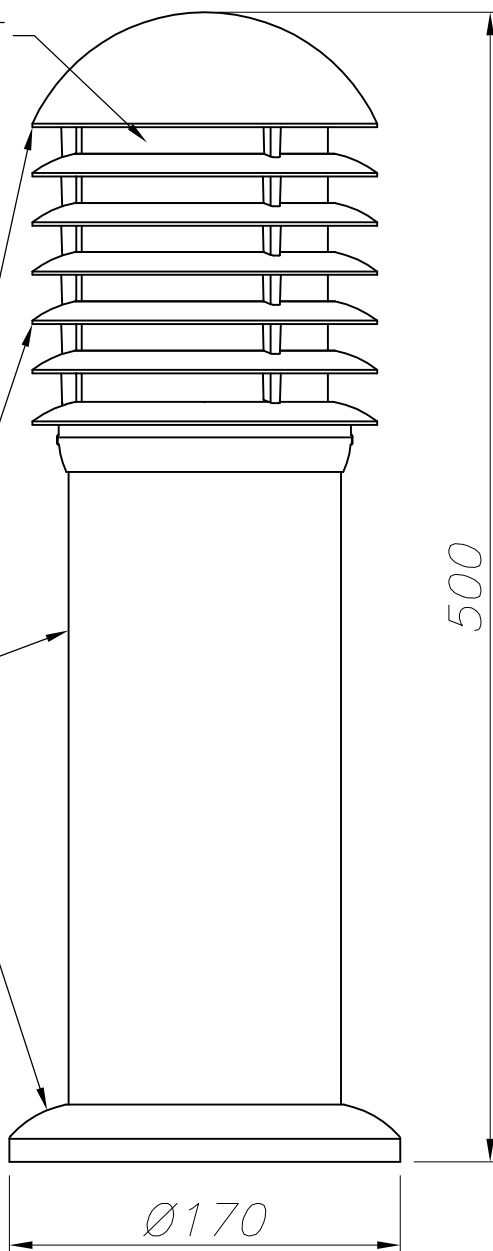
Diffuser finish: Matt

GEAR

Gear included: Yes, Magnetic

POLICARBONATO TRANSPARENTE MATE
TRANSPARENT MATT POLYCARBONATE

ALUMINIO DE ALTA PUREZA
HIGH QUALITY ALUMINUM



PLANTILLA DE INSTALACIÓN
INSTALLATION TEMPLATE



LED S-C4

OUTDOOR

55-9342
55-9343

